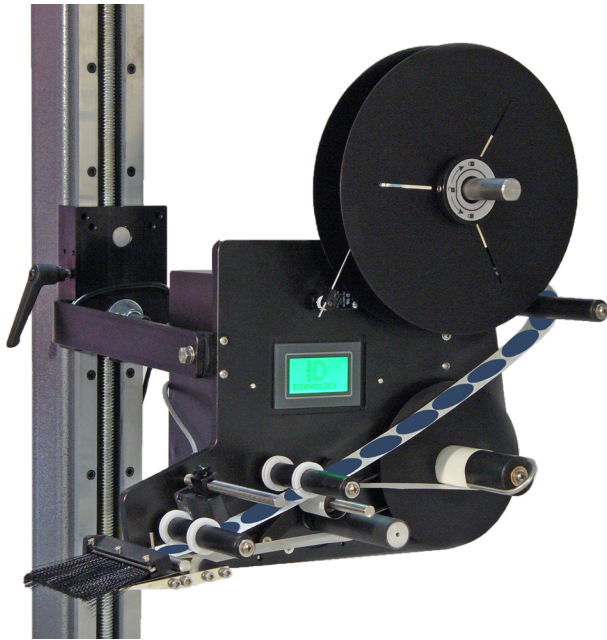


ST1000 LABEL APPLICATOR

UNSURPASSED COMBINATION OF VARIABLE SPEED AND FLEXIBILITY

The ID Technology Model ST1000 is a full featured label applicator with variable speed motor that achieves speeds up to 1,000 inches of label web per minute. Like other ID Technology engineered equipment, the Model ST1000 has a modular, simple, user friendly design that sets this applicator above the competition. Available as a merge, blow-on or tamp applicator, it's ideal for the application of a wide assortment of sizes and shapes of pressure sensitive labels to the top, bottom or side of a product.

While economical, the ST1000 is a rugged industrial-duty applicator. The anodized aluminum construction provides protection from corrosive environments. With the ambidextrous left-hand and right-hand design, added flexibility is obtained and allows for changeover in the field. The simplistic design results in minimal downtime, easy fault diagnosis as well as minimal parts inventory.



FEATURES AND BENEFITS

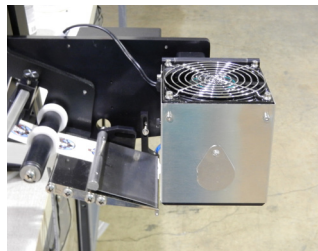
- Diagnostics
 - Encoder Mode: Encoder feedback (speed) displayed on HMI (when encoder option used)
 - Manually force outputs (test imprinter, test valves (blow, tamp, etc))
 - Real time indicator for inputs (test/verify sensors are working)
- Up to 5" wide label
- Ambidextrous design for added flexibility
- Touch-screen display, change in background color gives quick and highly visible applicator status
- Adjustable label feed delay (via HMI)
- Printer output pulse for laser or TTO coder
- Recipe storage capacity 100 formats

MODULES

Additional ST1000 Application Modules



TAMP MODULE



BLOW BOX MODULE

ID TECHNOLOGY **ST1000 LABEL APPLICATOR**

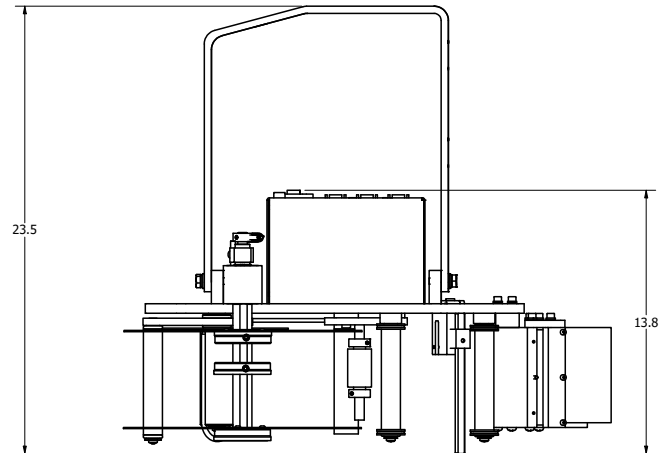
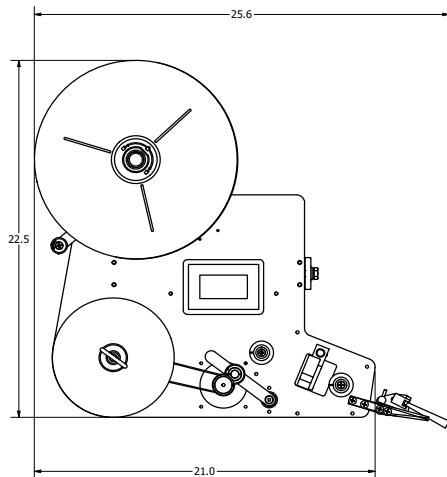
TYPICAL PRODUCT SPECIFICATIONS

Weight	45 lbs.
Labeling Rate	Up to 1,000 inches of label web per minute
Label Placement Accuracy	Approximately +/- 1/16" when labels are produced to specification and product handling is controlled
Label Size	5" x 12" Maximum (4.5" x 4.5" for blow-on) .5" x .5" Minimum
Label Roll Size	12.5" (OD) x 3" (ID), Unpowered unwind

Electrical	115/230 VAC, 3 amp, 50-60 HZ
Air Requirements	Clean air at 80 psi min. to 120 psi dependent upon the application rate
Labeling Sensing	Photoelectric
Motor	Stepper

*Faster application speeds available by custom quote.

CONFIGURATION



OPTIONS

- Merge
- Blow-On
- Tamp
- Tamp-Jet
- T-Base Stand
- Low Label Supply/Fault
- 3 Stage Beacon
- Remote Controller Kit
- Roller Attachment
- Extended Peel Tip

OPTIONAL FEATURES

- Adjustable vacuum delay (for tamp option) (via HMI)
- Smart tamp support
- Status I/O kit option: outputs, online & low label inputs, and offline & trigger
- Encoder kit option (3 modes of operation)
- Optional Kit allows for moving the controller from the face plate to a location away from the applicator

The ID Technology ST1000 offers a modular, simple, user friendly design.

©2018 ProMach Inc. ProMach reserves the right to change or discontinue specifications and designs shown in this brochure without notice or recourse
PM_IDT_SpecSheetV_ST1000

PHONE
817-624-6805

TOLL FREE
888-438-3242

EMAIL
IDT@ProMachBuilt.com

WEB
IDTechnology.com

5051 N. Sylvania Ave., Ste. 405
Fort Worth, TX 76137